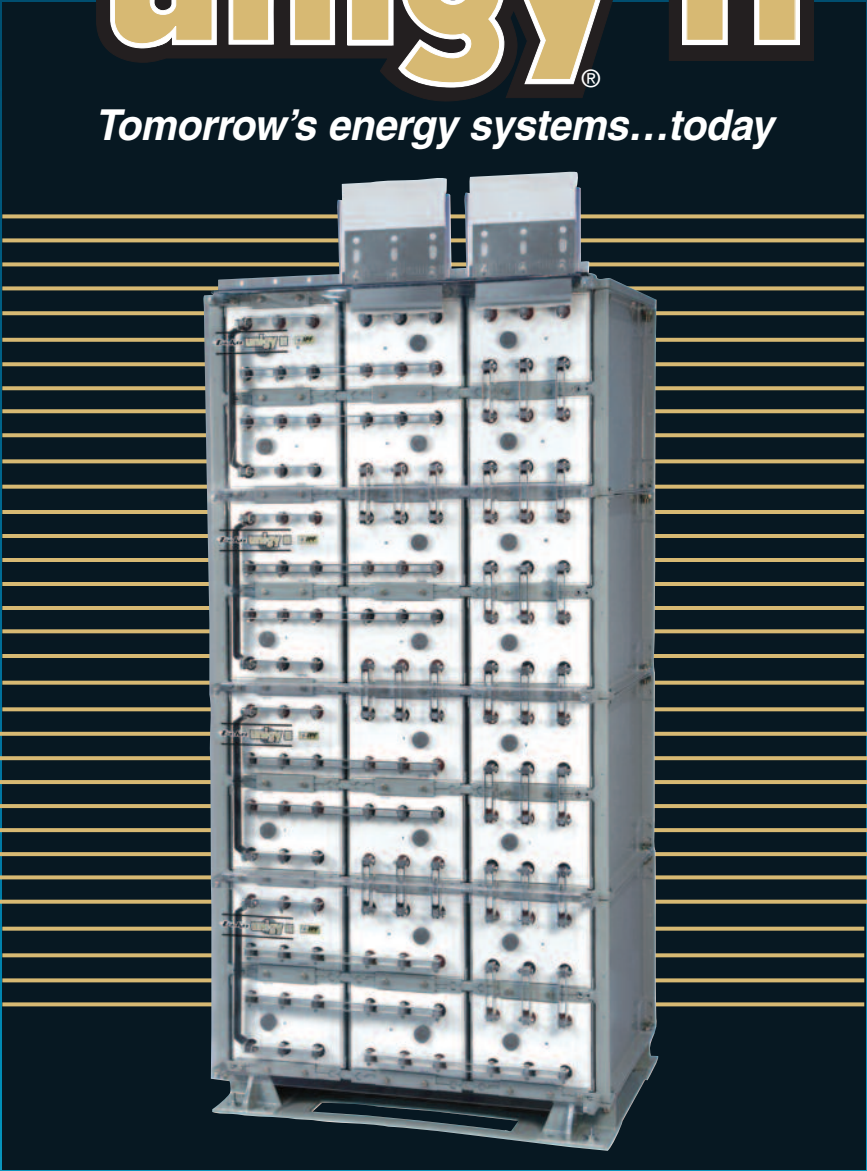


**MORE POWER – LESS SPACE™**



# unigy II

*Tomorrow's energy systems...today*



**2000 AH  
DESIGN**

**EXCLUSIVE  
IPF®  
TECHNOLOGY**

**INDIVIDUAL  
STEEL CANS  
FOR EACH  
CELL**

**NEBS  
ZONE 4  
CERTIFIED**

**MICROCAT™  
VENT**



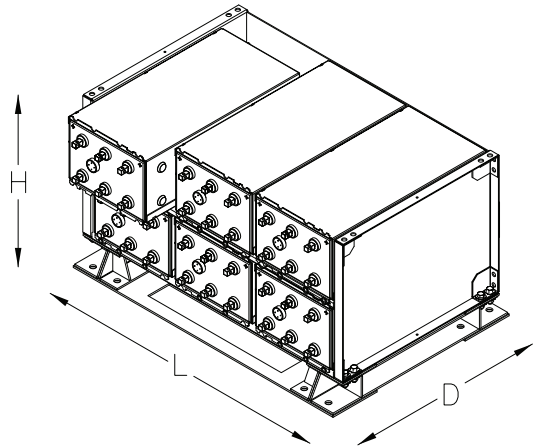
QUALITY SYSTEM  
CERTIFIED TO  
**ISO 9001**  
**ISO/TS 16949**  
**ISO 14001**

Made in U.S.A.

<b>AVR125 - 33</b>									
<b>AMPERES @ 77° (25°C)</b>									
Volts Per Cell (V.P.C.)	Discharged Times – Hours								
	3 Hr.	4 Hr.	5 Hr.	6 Hr.	8 Hr.	10 Hr.	12 Hr.	20 Hr.	24 Hr.
1.75	517	414	352	309	250	210	182	118	101
1.80	502	408	348	306	248	208	180	117	100
1.85	472	390	336	297	241	203	176	114	97.7
<b>Float Voltage: 2.25 +/- .01 volts per cell <sup>6</sup></b>									

No. Cells/Module	No. Plates/Cell	Part Numbers <sup>1</sup>	Module Volts	Amp Hour C/8 @ 1.75 vpc	Dimensions			
					Length <sup>2</sup> (mm)	Depth <sup>3</sup> (mm)	Height <sup>4</sup> (mm)	Weight <sup>5</sup> (kgs.)
6	33	AVR125-33	12	2000	42.83" (1088)	31.00" (737)	19.86" (504)	2194 lbs. (995)
4	33	AVR125-33	8	2000	29.55" (751)	31.00" (737)	19.86" (504)	1484 lbs. (673)

- <sup>1</sup> Flame retardant polypropylene jar and cover standard.
- <sup>2</sup> To calculate overall length for multiple stack systems, add 4" to module length and multiply by number of stacks, then subtract 4" from total. For side termination add 8" (4" per side).
- <sup>3</sup> Includes front shield.
- <sup>4</sup> For module stack height, multiply the module height times the number of modules and then add 4" for base. For top termination, add 8".
- <sup>5</sup> Weight includes module plus cells, but not cell hardware or base.
- <sup>6</sup> Please refer to the I&O Manual, systems operation, float voltages for proper charger setting.



## **EAST PENN manufacturing co., inc.**

Lyon Station, PA 19536-0147 • Phone: 610-682-6361 • Fax: 610-682-4781  
**Order Department Hotline: 610-682-3263**  
 www.eastpennunigy.com • e-mail: sales@eastpennunigy.com

DISTRIBUTED BY: