

MORE POWER - LESS SPACE™



unigy I®

12AVR-145L 12AVR-145LLP

- **Exclusive IPF™ technology optimizes power capacity, cell consistency, and long-term reliability**
- Pure lead low calcium, high tin positive grids
- Front access terminals
- Absorbed glass mat separators
- Flame retardant polypropylene – UL94 V0 28% LOI jar and cover
- Low positive pressure, self-sealing safety vents with flame arrestors
- Epoxy post seals
- Design life 10 years @ 77°F (full float)
- I.C.A.O., I.M.D.G., I.A.T.A. and D.O.T. air transport approved



SPECIFICATIONS

Rating: 145 ah @ 8 hr rate to 1.75 vpc,

Float Voltage: 13.50 v.p.b. @ 77°F (25°C)

Weight: 100 lbs. (45.4 Kg)

DISCHARGE RATE IN AMPS*†

Volts Per Cell (V.P.C.)	1 HR.	3 HR.	5 HR.	8 HR.	10 HR.	12 HR.	20 HR.	24 HR.
1.75	93.6	40.6	26.6	18.1	15.0	12.8	8.1	6.8
1.80	89.3	39.8	26.3	17.9	14.9	12.6	8.0	6.8
1.85	82.6	37.9	25.4	17.4	14.5	12.4	7.9	6.7
1.88	76.3	35.8	24.1	16.4	13.7	11.7	7.4	6.3
1.90	71.5	33.9	22.9	15.7	13.1	11.2	7.2	6.1

* @77°F (25°C) † Subject to change without notice.
Note: Above ratings conform to IEEE-485 standards.

"POWERED FOR PERFORMANCE"®

EAST PENN manufacturing co., inc.

Lyon Station, PA 19536-0147 • Phone: 610-682-6361 • Fax: 610-682-4781

Order Department Hotline: 610-682-3263

www.eastpennunigy.com • E-mail: sales@eastpennunigy.com

E.P.M. Form No. 0976 Rev. 7/10 © 2010 by EPM Printed in U.S.A.

QUALITY SYSTEM
CERTIFIED
ISO 9001
ISO/TS 16949
ENVIRONMENTAL
SYSTEM CERTIFIED
ISO 14001



Product Code	Nominal Voltage	AH Capacity C/8 @ 1.75 v.p.c.	AH Capacity C/10 @ 1.75 v.p.c.	Length	Width	Height	Total Weight	Acid Volume
12AVR-145L	12V	145	150	16.82 in. 427.2 mm	6.97 in. 177.0 mm	10.10 in. 256.5 mm	100 lbs. 45.4 kg	2.17 gal. 8.22 L
12AVR-145LLP	12V	145	150	17.90 in. 454.7 mm	6.97 in. 177.0 mm	9.36 in. 237.7 mm	100 lbs. 45.4 kg	2.17 gal. 8.22 L

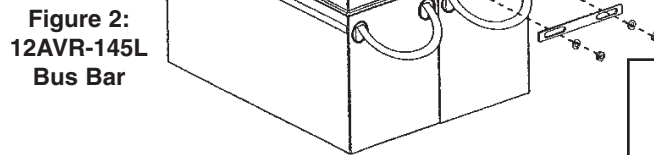
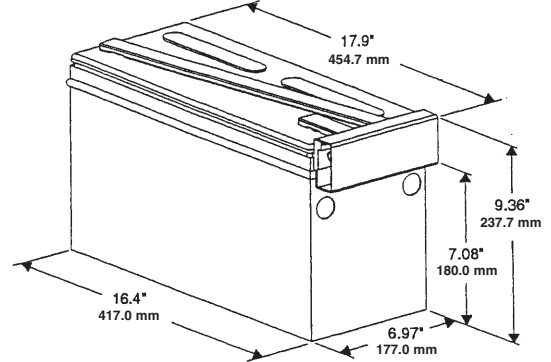
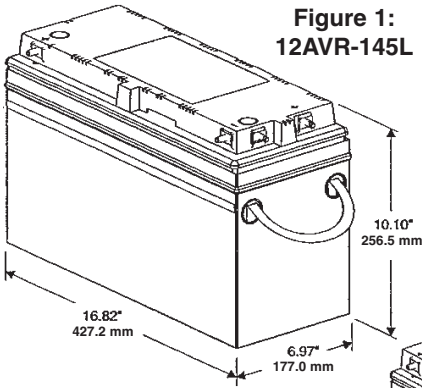


Figure 4: 12AVR-145LLP

