

MORE POWER – LESS SPACE™



HIGH RATE SERIES

U1HR1500

- **Exclusive IPF® Technology optimizes power capacity, cell consistency, and long-term reliability**
- Advanced AGM technology for superior high rate, short term power
- Reinforced case resists bulging and meets safety requirements (UL 94 V-0)
- Case & cover heat sealed and 100% tested to prevent leaks
- Epoxy-sealed posts eliminate leaks
- Puncture resistant micro-porous glass mat separators extend life
- Flame arresting, low pressure, self-sealing valves are 100% factory tested
- Computer-aided design, manufacturing control processes, and standards to ensure quality products
- All batteries meet or exceed IEEE recommended practices
- Battery design and construction meet UL recognition requirements



QUALITY SYSTEM CERTIFIED
ISO 9001
ISO/TS 16949
 ENVIRONMENTAL SYSTEM CERTIFIED
ISO 14001



SPECIFICATIONS

Nominal Voltage: 12-Volt/119 w.p.c.
 @ 15 min. rate to 1.67 v.p.c.

Positive Plate: Pure lead, low-calcium, high-tin alloy

Negative Plate: Lead calcium alloy

Post Seal: Epoxy-sealed

Terminal: Top access,
 1/4" - 20 threaded insert

Container: Flame-retardant, polypropylene -
 UL 94 V-0/>28% L.O.I.

Safety Vent: Low positive pressure, self-sealing w/ flame arrestor

Float Voltage: 2.25 v.p.c. ± 0.01 v.p.c. (Range: 13.44 to 13.56 volts per 6-cell battery)

Design Life: 5 years in float applications at 77°F (25°C)

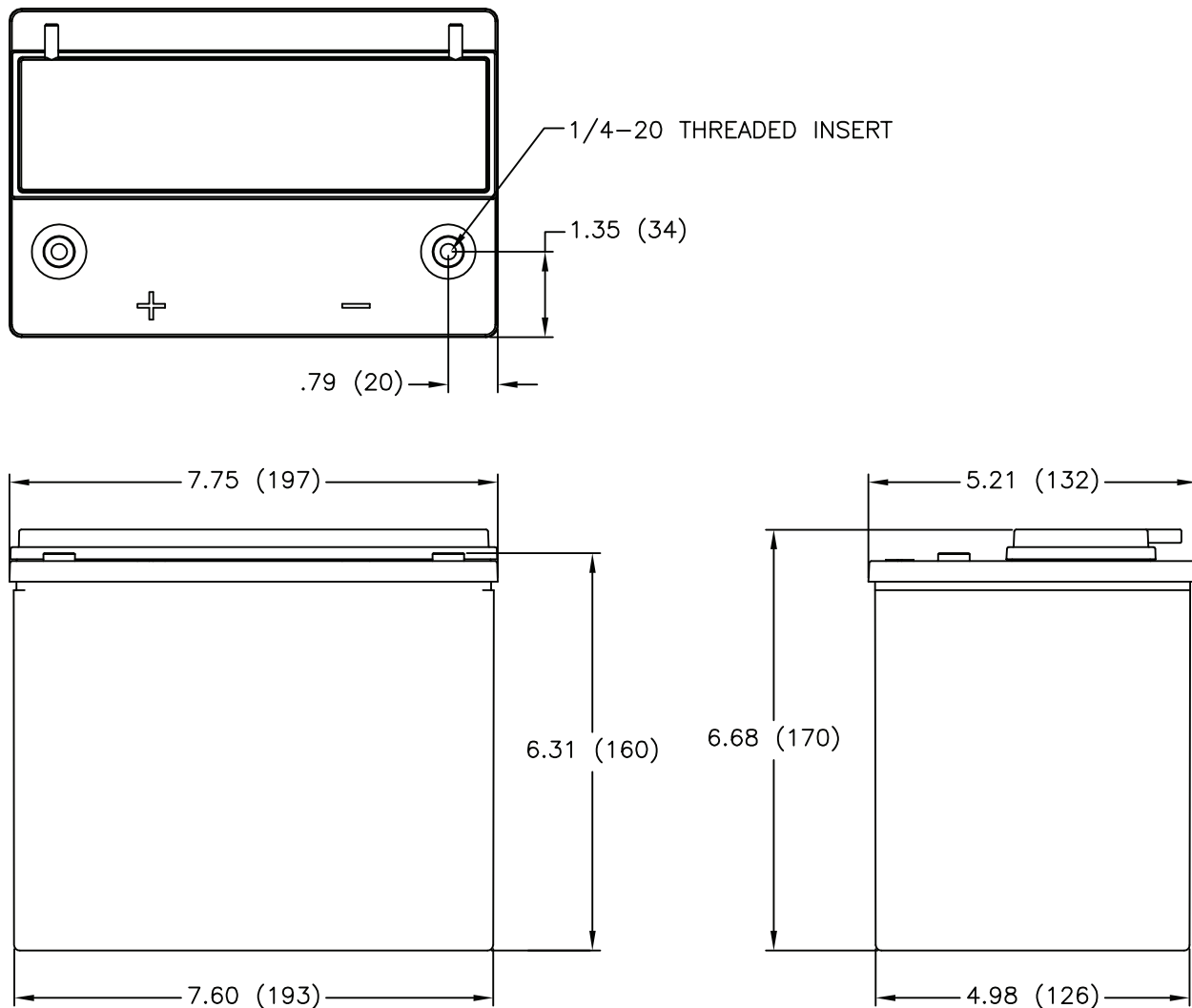
Dimensions: 7.75" (197 mm) L
 x 5.21" (132 mm) W
 x 6.68" (170 mm) H

Weight: 27 lbs. (12 kg)

DISCHARGE RATE IN WATTS PER CELL RATINGS @ 77°F (25°C)†

Volts Per Cell (VPC)	1 MIN.	5 MINS.	10 MINS.	15 MINS.	20 MINS.	30 MINS.	40 MINS.	50 MINS.	60 MINS.
1.60	502	256	162	121	97.5	71.3	56.6	47.4	41.0
1.67	445	247	159	119	96.5	70.2	56.1	47.0	40.6
1.70	418	237	156	117	94.7	69.3	55.3	46.5	40.3
1.75	377	223	149	113	92.2	68.0	54.4	45.8	39.9
1.80	—	206	141	108	89.0	66.0	53.1	44.9	39.1

† Subject to change without notice.



e-mail: sales@eastpennunigy.com www.eastpennunigy.com



East Penn Manufacturing Co. Lyon Station, PA 19536-0147 Phone: 610-682-6361 Fax: 610-682-0891 Unigy Hotline: 610-682-3263