

MORE POWER – LESS SPACE™



unigy I®

12AVR 130

- **Exclusive IPF™ technology optimizes power capacity, cell consistency, and long-term reliability**
- Epoxy-sealed inserted posts deliver reliable standby power under the most demanding applications
- Space saving Absorbed Glass Mat (AGM) construction (48 volt system fits in 23" racks)
- Reinforced case resists bulging and meets safety requirements (rated 28 L.O.I.)
- Computer-aided design and manufacturing control processes and standards to ensure quality products
- All batteries meet or exceed IEEE 485 and Telcordia capacity requirements.
- Battery design and construction meet UL recognition requirements



SPECIFICATIONS

- Nominal Voltage:** 12-Volt/125 ampere-hours
@ 8 hr. rate to 1.75 final volts/cell
- Positive Plate:** Pure lead, low-calcium, high-tin alloy
- Negative Plate:** Lead calcium alloy
- Post Seal:** Epoxy-sealed
- Terminal:** 1/4" x 20 brass insert
- Container:** Flame-retardant, polypropylene -
UL 94 V-0/>28% L.O.I.
- Safety Vent:** Low positive pressure, self-sealing w/ flame arrestor
- Float Voltage:** 2.25 volts per cell ± 0.01 vpc
(13.50 volts per 6-cell unit)

Design Life: 10 years in float applications at 77°F/25°C

Dimensions: 13.46" (342 mm) L
x 6.77" (172 mm) W
x 11.21" (285 mm) H

Weight: 98 lbs. (44.5 kg)

DISCHARGE RATE IN AMPS *†

Volts Per Cell (V.P.C.)	1 HR.	3 HR.	5 HR.	8 HR.	10 HR.	12 HR.	20 HR.	24 HR.
1.75	89.5	36.1	23.6	15.6	12.7	10.8	6.7	5.6
1.80	86.6	35.4	23.1	15.3	12.5	10.6	6.6	5.5
1.85	77.6	33.3	22.0	14.7	12.0	10.2	6.3	5.3
1.88	71.4	31.5	20.9	14.0	11.5	9.7	6.1	5.1
1.90	66.1	30.1	20.1	13.4	11.0	9.3	5.8	4.9

* @77°F (25°C) † Subject to change without notice.

"POWERED FOR PERFORMANCE"®

EAST PENN manufacturing co., inc.

Lyon Station, PA 19536-0147 • Phone: 610-682-6361 • Fax: 610-682-4781

Order Department Hotline: 610-682-4231

www.eastpennunigy.com • e-mail: sales@eastpennunigy.com

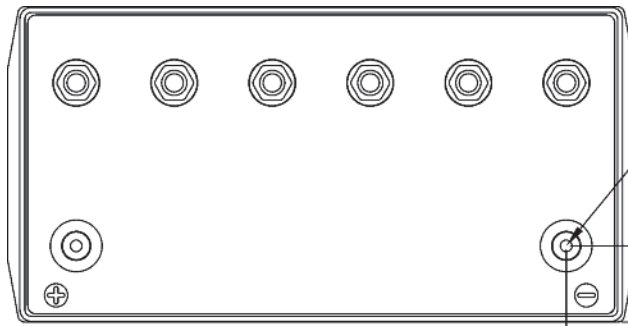
E.P.M. Form No. 0982 Rev. 12/10 © 2010 by EPM Printed in U.S.A.



QUALITY SYSTEM
CERTIFIED
ISO 9001
ISO/TS 16949
ENVIRONMENTAL
SYSTEM CERTIFIED
ISO 14001



No part of this document may be copied or reproduced, electronically or mechanically, without written permission from the company.

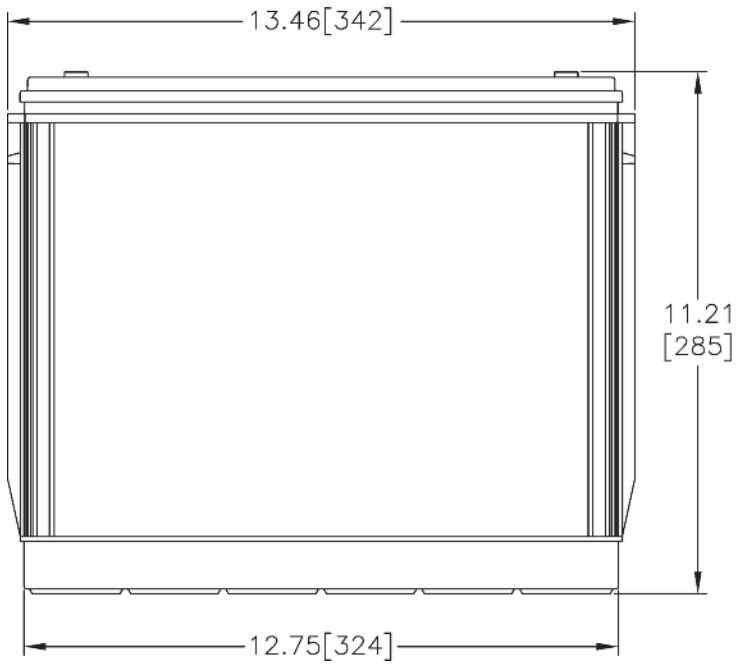


1/4 - 20 THREADED INSERT

1.635 [42]

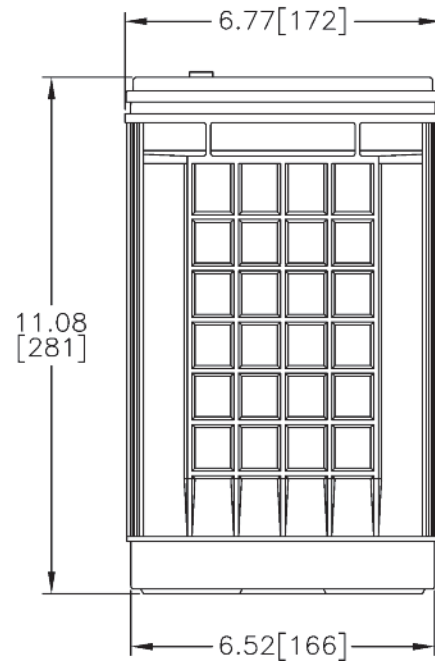
1.473 [37]

*Dimensions shown in inches.
Millimeters shown in parenthesis.*



11.21
[285]

12.75 [324]



11.08
[281]

6.52 [166]